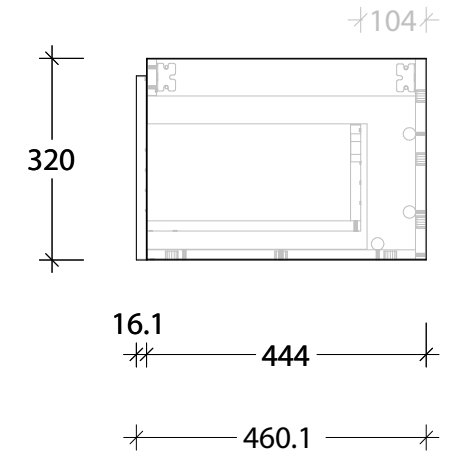
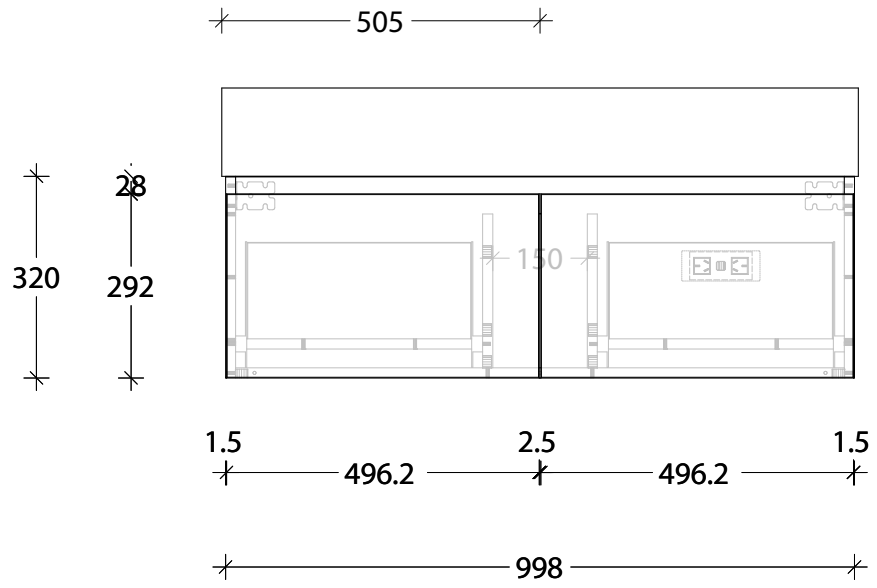
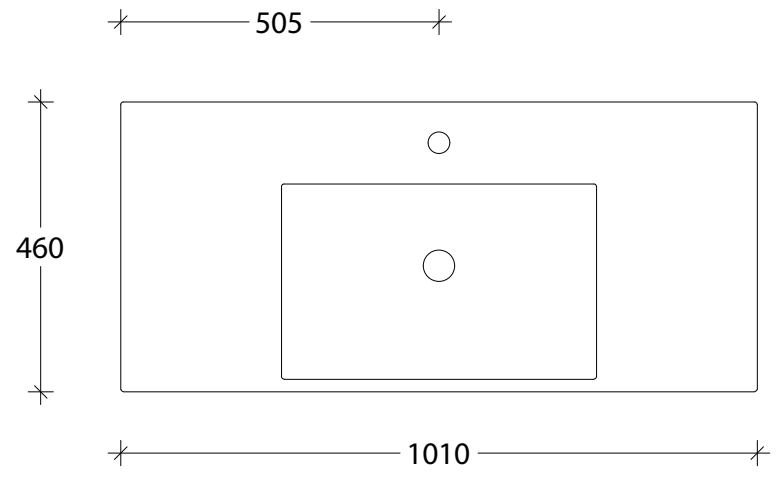
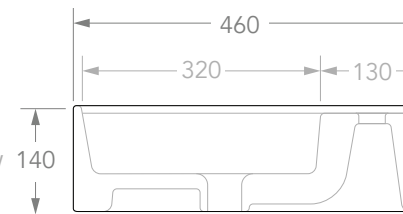
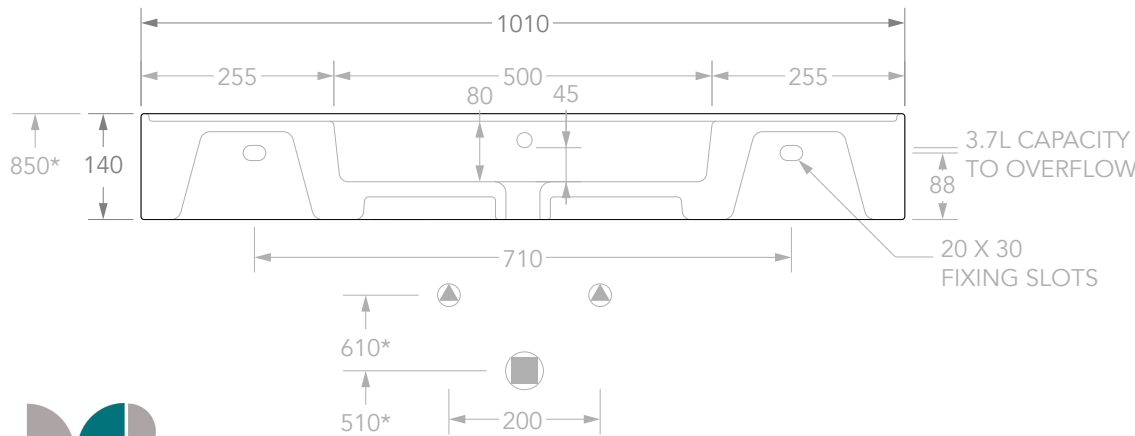
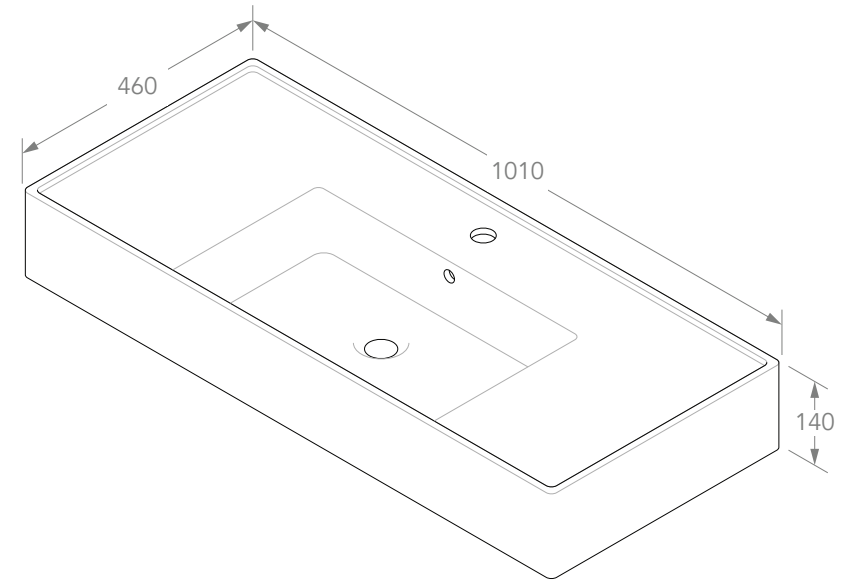
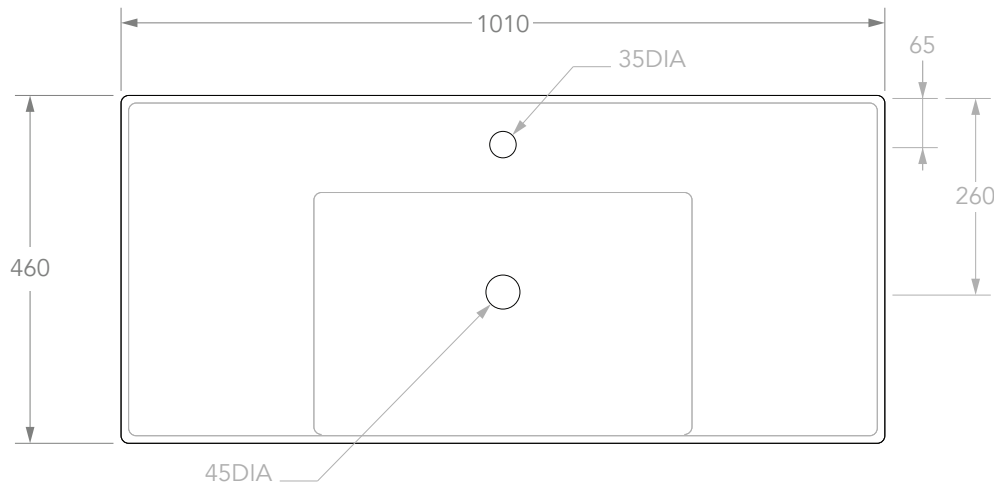


NAME:	CAPFA1000WHC
SIZE:	1000
WK/WH:	WALL HUNG
CONFIGURATION:	CENTRE BOWL



PLEASE NOTE: Do not perform any plumbing rough in prior to taking delivery of your vanity, as all measurements are nominal and are subject to change. Measure exact locations from your vanity once it is on site.



PRODUCT	SCARABEO TEOREMA 2.0 1000	MATERIAL	CERAMIC	<p>* RECOMMENDED ROUGH IN SPECS FOR PLUMBER BASED ON INSTALLED BENCH HEIGHT OF 850.</p> <p>LEFT OFFSET BASIN SHOW. RIGHT IS SAME BUT MIRRORED.</p> <p>BASIN REQUIRES 32MM WASTE WITH OVERFLOW. ADP UNIVERSAL WASTE RECOMMENDED (SOLD SEPARATELY)</p> <p>ALL DIMENSIONS ARE NOMINAL AND SUBJECT TO CHANGE. DO NOT DRILL OR ROUGH IN UNTIL YOU HAVE RECEIVED AND MEASURED YOUR PRODUCT.</p> <p>ALL DIMENSIONS ARE IN MILLIMETRES. DO NOT MEASURE FROM DRAWING.</p>
CODE	TOPCTEO100GWC	COLOUR	WHITE	
STYLE	WALL BASIN	FINISH	GLOSS	
DIMENSIONS	1010W X 460D X 140H	BOWL POSITION	CENTRE	
CAPACITY	3.7L TO OVERFLOW	TAP HOLE	0 OR 1** (-1TH) (3 TAP HOLE CAN BE DRILLED ON REQUEST)	
VERSION 3	DATE 23/04/2020			